

UZU

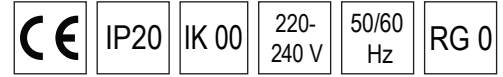
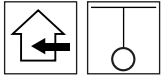
by Sandro Santantonio



USE

LED

FEATURES



DESCRIPTION

Suspension lamp for indoor installations. Ideal for environments where soft and elegant light is required. Sunburst supporting structure made of square painted steel tubes. The pending decorative elements are fixed to structure by means of fine steel cables and consist of geometric panels, handmade and covered in fine fabric, pleated silk or covered with precious natural wood panels. Panel colors and finishes can be customized. Diffused light central lamp equipped with SMD Led circuit with high color rendering index (CRI90) and high-energy efficiency. Laser-cut metal dissipating plate. Built-in electronic ballast. The vertical tubes, arranged around the circumference of the lamp, create an elegant and lighting effect.

SETTLEMENT CODE

Complete the code by entering the number corresponding to the desired color in the space provided

STRUCTURE AND CYLINDERS COLORS

Matt white: **1**

Matt black: **7**

other colors on request

PANELS COLORS

Ivory cotonette fabric: **0**

Ivory plissé fabric: **1**

Striped ash wood essence: **2**

Black cotonette fabric: **8**

Black plissé fabric: **9**

Ebony wood essence: **7**

UZU 700

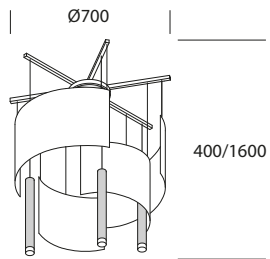
IP20

TYPE

POWER

FLUX¹

CODE
CCT 3000°K
CRI > 90



LED

27W

2740lm

C016 .W
structure panels

Brightest LED versions on request

UZU 1200

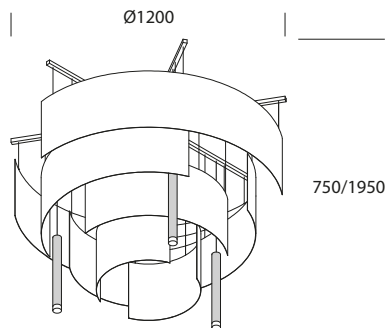
IP20

TYPE

POWER

FLUX¹

CCT 3000°K
CRI > 90



LED

27W

2740lm

C017 .W
structure panels

Brightest LED versions on request

UZU 2000

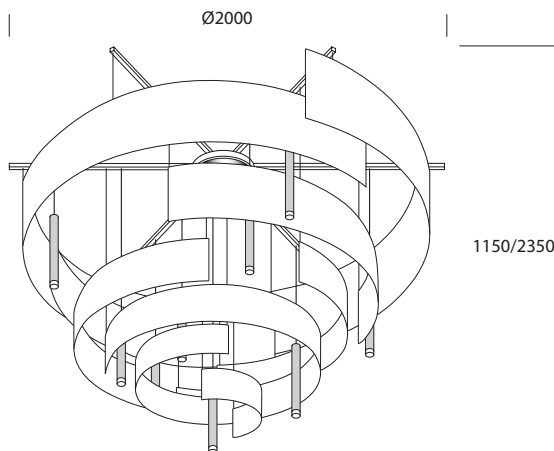
IP20

TYPE

POWER

FLUX¹

CCT 3000°K
CRI > 90



LED

66W

6770lm

C018 .W
structure panels

Brightest LED versions on request

Other version on request

¹Nominal luminous flux

UZU

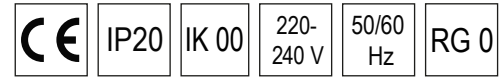
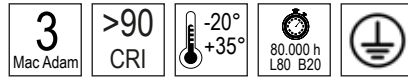
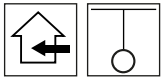
by Sandro Santantonio



USE

LED

FEATURES



DESCRIPTION

Suspension lamp for indoor installations. Ideal for environments where soft and elegant light is required. Supporting structure composed of square painted steel tubes. The pending decorative elements are fixed to structure by means of fine steel cables and consist of geometric panels, handcrafted and covered in fine fabric, pleated silk or covered with precious natural wood panels. Panel colors and finishes can be customized. Diffused light central lamp equipped with SMD Led circuit with high color rendering index (CRI90) and high-energy efficiency. Laser-cut metal dissipating plate. Built-in electronic ballast. The vertical tubes, arranged in the centre of the lamp, create an elegant and lighting effect.

SETTLEMENT CODE

Complete the code by entering the number corresponding to the desired color in the space provided

STRUCTURE AND CYLINDERS COLORS

Matt white: **1**

Matt black: **7**

other colors on request

PANELS COLORS

Ivory cotonette fabric: **0**

Ivory plissé fabric: **1**

Striped ash wood essence: **2**

Black cotonette fabric: **8**

Black plissé fabric: **9**

Ebony wood essence: **7**

UZU SL1400

IP20

TYPE

POWER

FLUX¹

LED

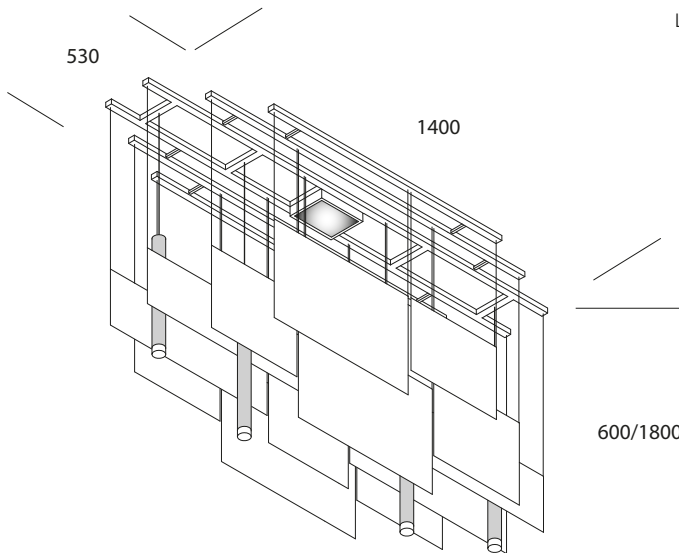
38W

3840lm

CODE

CCT 3000°K
CRI > 90

C019 .W
structure panels



Brightest LED versions on request

UZU SL2400

IP20

TYPE

POWER

FLUX¹

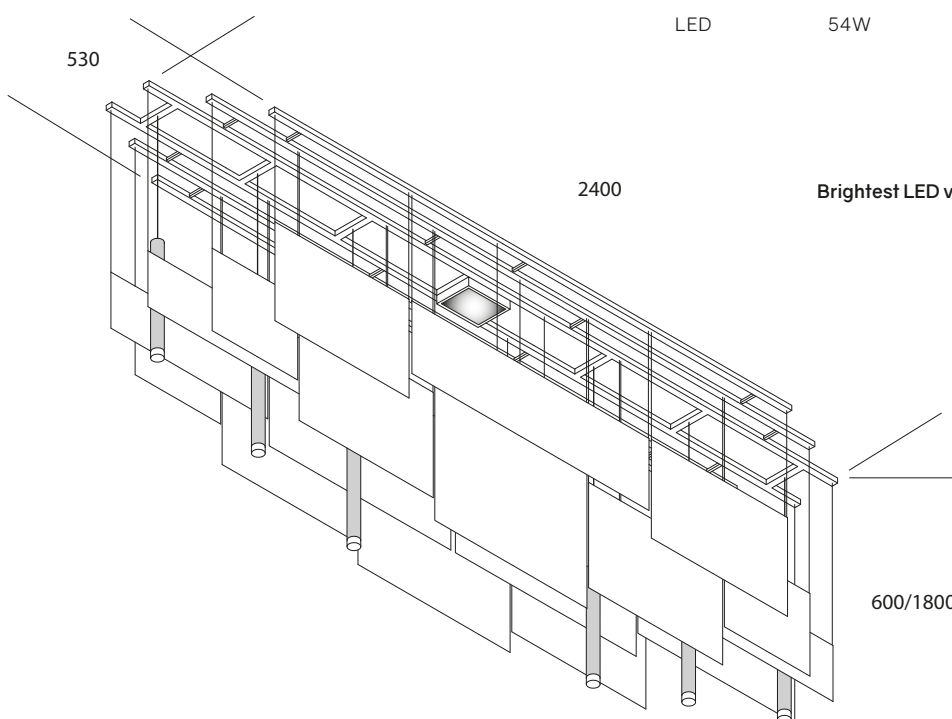
LED

54W

5480lm

CCT 3000°K
CRI > 90

C020 .W
structure panels



Brightest LED versions on request

Other version on request

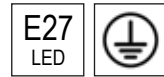
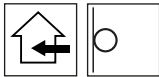
¹Nominal luminous flux

UZU

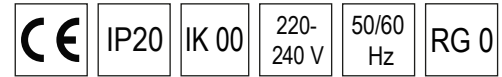
by Sandro Santantonio



USE



FEATURES



DESCRIPTION

Wall lamp for indoor installation. Ideal for environments where soft and elegant light is required. Bent and painted metal structure. The decorative elements are fixed to the structure by means of an ingenious and almost invisible system. The elements consist of handcrafted geometric panels covered with fine fabric, pleated silk or covered with precious natural wood panels. Panel colors and finishes can be customized.

SETTLEMENT CODE

Complete the code by entering the number corresponding to the desired color in the space provided

STRUCTURE AND CYLINDERS COLORS

Matt white: **1**

Matt black: **7**

other colors on request

PANELS COLORS

Ivory cotonette fabric: **0**

Ivory plissé fabric: **1**

Striped ash wood essence: **2**

Black cotonette fabric: **8**

Black plissé fabric: **9**

Ebony wood essence: **7**

UZU-AP

IP20

TYPE

POWER

FLUX¹

E27

2x8W*

2x880lm*

CODE



C021

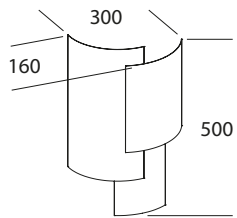


structure



panels

.IN



Other version on request

*Suggested value - light source not supplied

¹Nominal luminous flux